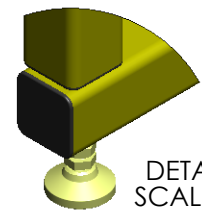
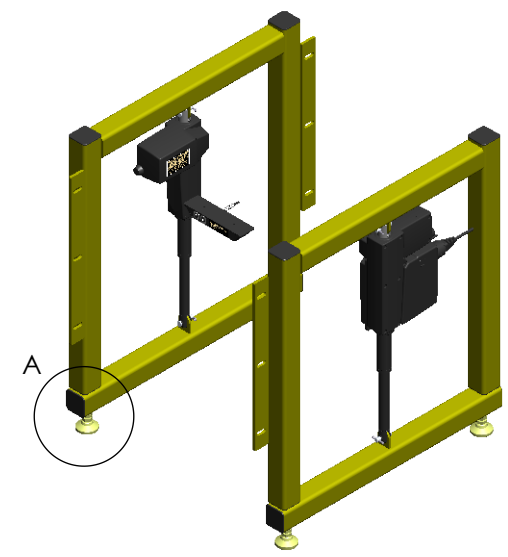


DETAIL B
SCALE 1 : 5



DETAIL A
SCALE 1 : 5

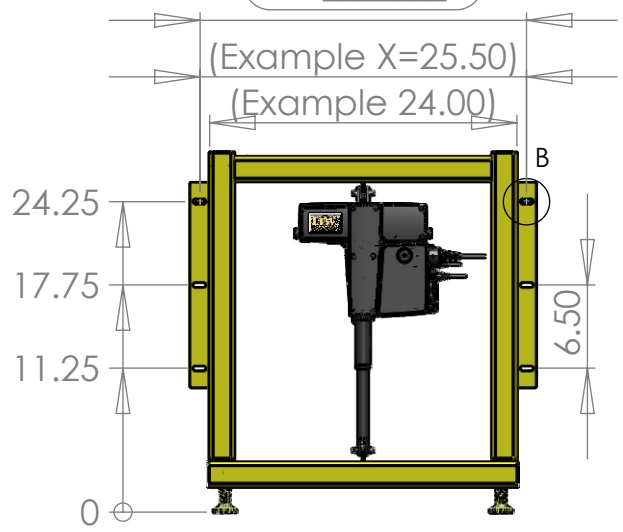
LEVELER SPECS: THREADS 1/2"-13



X= _____

(Example X=25.50)

(Example 24.00)

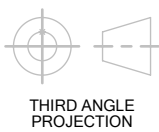


Minimum Height

COLOR: TBD

SIZE CHART		
Base Depth	X Dim. Inch	X Dim. Metric
18	19.5 +/- .500	495.3 +/- 15
19	20.5 +/- .500	520.7 +/- 15
20	21.5 +/- .500	546.1 +/- 15
21	22.5 +/- .500	571.5 +/- 15
22	23.5 +/- .500	596.9 +/- 15
23	24.5 +/- .500	622.3 +/- 15
24	25.5 +/- .500	647.7 +/- 15
25	26.5 +/- .500	673.1 +/- 15
26	27.5 +/- .500	698.5 +/- 15
27	28.5 +/- .500	723.9 +/- 15
28	29.5 +/- .500	749.3 +/- 15
29	30.5 +/- .500	774.7 +/- 15
30	31.5 +/- .500	800.1 +/- 15
31	32.5 +/- .500	825.5 +/- 15
32	33.5 +/- .500	850.9 +/- 15
33	34.5 +/- .500	876.3 +/- 15
34	35.5 +/- .500	901.7 +/- 15
35	36.5 +/- .500	927.1 +/- 15
36	37.5 +/- .500	952.5 +/- 15

Model	Width	Depth	Minimum Height	Stroke/Synchro	Floor Contact	Leveler Option
E2RF (Retro Fit Kit)	00 (N/A)	Enter Base Depth From Chart	24" (Levelers/SS) 28" (Levelers/LS)	SS (Short stroke 8", Synchronized)	L (Levelers)	AH (Anchor Hole)
			28" (Levelers/SS) 32" (Levelers/LS)	LS (Long stroke 12", Synchronized)	5 (5" Casters)	SD (Standard Duty)



UNLESS OTHERWISE SPECIFIED ALL DRAWING UNITS ARE IN INCHES:
UNLESS OTHERWISE NOTED ALL TOLERANCES:
ANGULAR: ± X.X°
TWO PLACE DECIMAL: ± X.XX
THREE PLACE DECIMAL: ± X.XXX

INTERPRET DRAWING DETAILS PER ASME Y14.5M-1984
DOCUMENT UNCONTROLLED IF PRINTED

PART DESCRIPTION:
E2 RF-I (RETRO FIT KIT OUTSIDE MOUNT)
PART NUMBER:

